

QUARTER-TURN LATCH PUSH-TO-CLOSE 18 MM



Spring-loaded hooked cam for push-to-close action in sliding doors. Spring-loaded cam for slam-latch action in sliding doors and similar applications.

Left version: Moves clockwise during closing.

Right version: Moves counter-clockwise during closing.



MATERIAL

Cam: Zinc die cast, chrome plated

Insert: Zinc die cast, chrome plated or black texture powder coated

Housing: Zinc die cast, chrome plated or black texture powder coated

Screw washer: Steel, zinc plated

Spring: Stainless steel 304

Washer: Polyamide

RELATED PRODUCTS

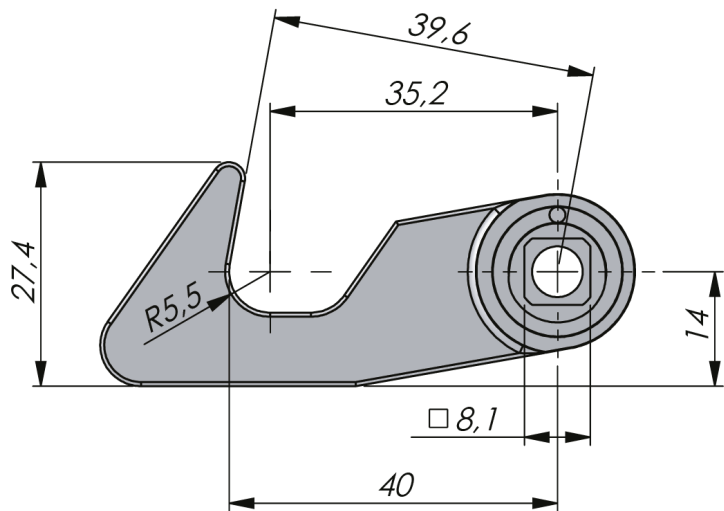
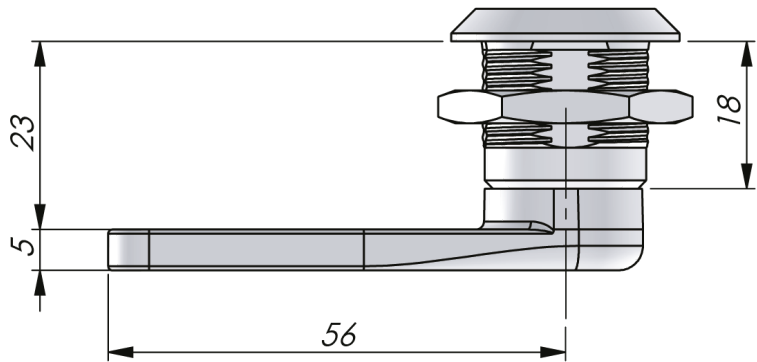
Inserts: 2-052

Keys: 2-372, 2-370

Use the Index Code at industrilas.com

TECHNICAL INFORMATION

Cutout: COMBI



Make your selections in each column to create your article number (AAAA-BCCDEF-GGGG)

| AAAA Housing | | B Nut | CC Insert | D Surface | E Assembly | F Cam | GGGG | H/L in mm | Cam rotation |
|--------------|---------------------|-------|------------------------------|-----------------------|--------------------|---------|------|-----------|------------------|
| 2302 | Zinc, chrome plated | 0 SN | 01 Square 6 | 2 Chrome | 4 IP54 - assembled | 0 Steel | 000L | 23 / 56 | Left hinged door |
| 2306 | Zinc, black coated | 1 EN | 03 Square 7 | 6 Black Powder Coated | | | | | |
| | | | 05 Square 8 | | | | | | |
| | | | 07 Square 8 / slotted | | | | | | |
| | | | 08 Square 8 / M6 | | | | | | |
| | | | 11 Square 8 / recessed | | | | | | |
| | | | 14 Triangle 7 | | | | | | |
| | | | 15 Triangle 8 | | | | | | |
| | | | 16 Triangle 10 | | | | | | |
| | | | 17 Triangle 10 / M5 | | | | | | |
| | | | 18 Triangle 10 / M6 | | | | | | |
| | | | 19 Triangle 10 / SEN | | | | | | |
| | | | 21 Triangle 10 - radius ES3 | | | | | | |
| | | | 22 Double Bit 3 | | | | | | |
| | | | 24 Double Bit 5 | | | | | | |
| | | | 26 Slotted | | | | | | |
| | | | 28 Slotted with arrow | | | | | | |
| | | | 29 Slotted recessed | | | | | | |
| | | | 30 DB - Deutsche Bahn | | | | | | |
| | | | 31 Hexagon 8,5 | | | | | | |
| | | | 32 Hexagon 11 | | | | | | |
| | | | 34 Recessed hexagon 8 | | | | | | |
| | | | 35 Recessed hexagon 10 | | | | | | |
| | | | 36 Recessed hex 8 / 3 mm pin | | | | | | |
| | | | 37 Solid plug | | | | | | |
| | | | 39 Triangle 10 - radius | | | | | | |

SN = Standard nut. EN = Earthing nut

